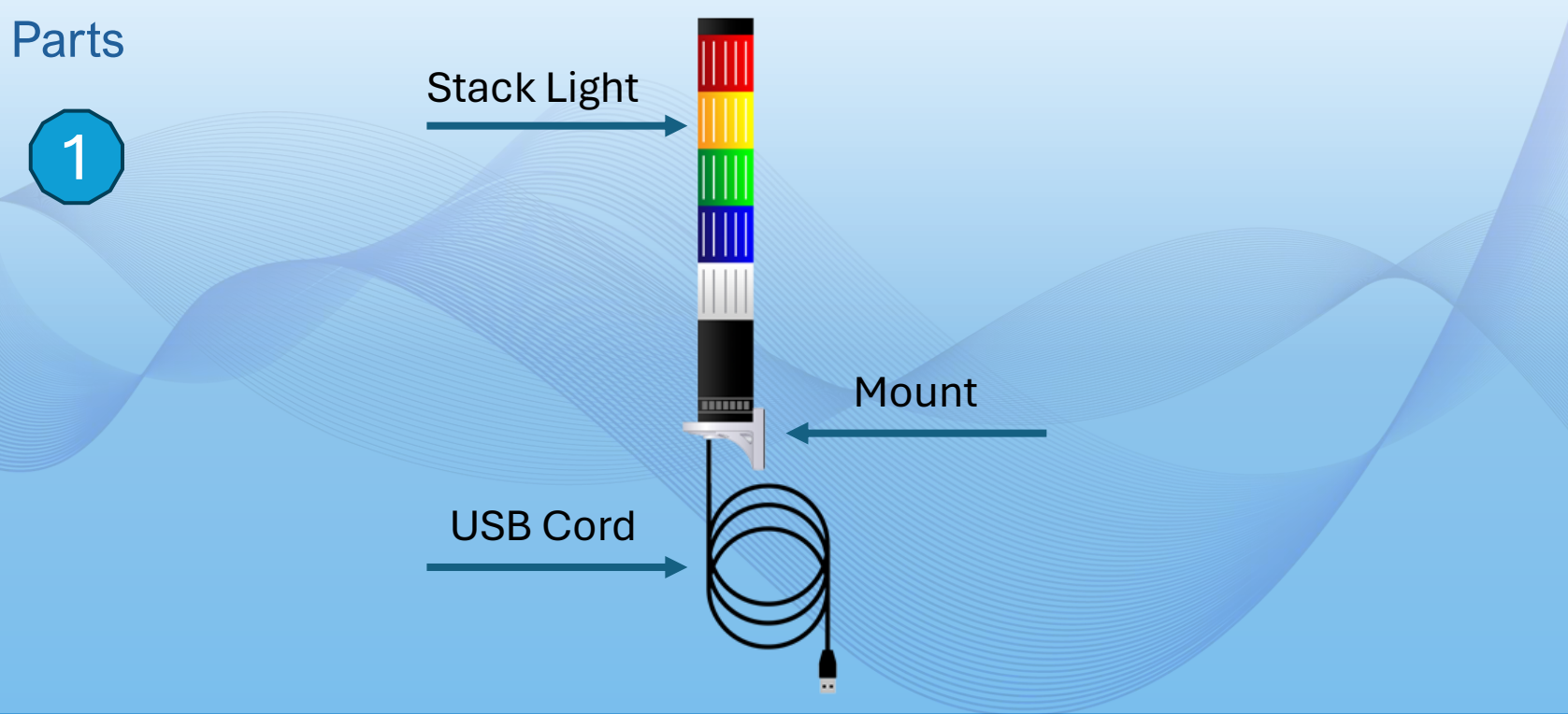


# USB Stack Light Installation



## Descriptions

1 – USB Stack Light Parts

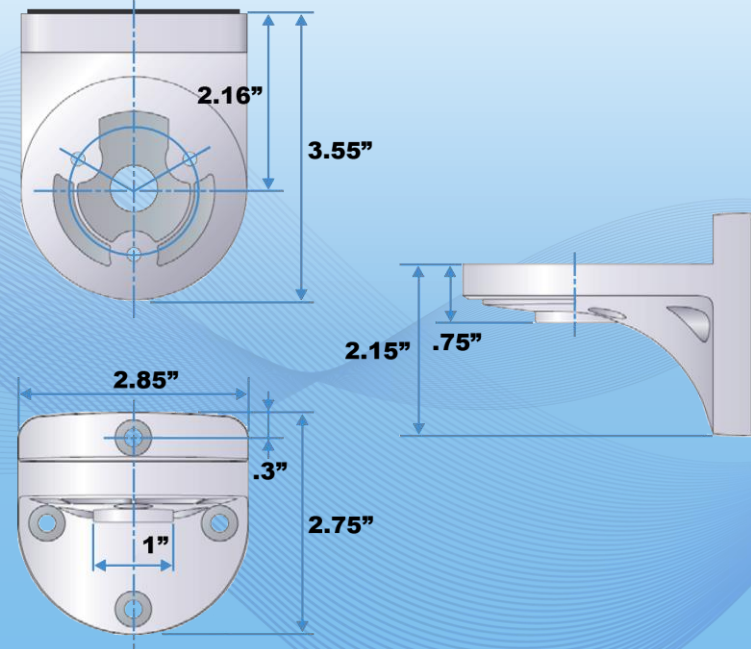
## Information

- Stack Light
- Wall Mount
- USB Cord
- **NOTE:** Mounting location must be within 9' of the Touch Screen.

# USB Stack Light Installation

Parts

1



## Descriptions

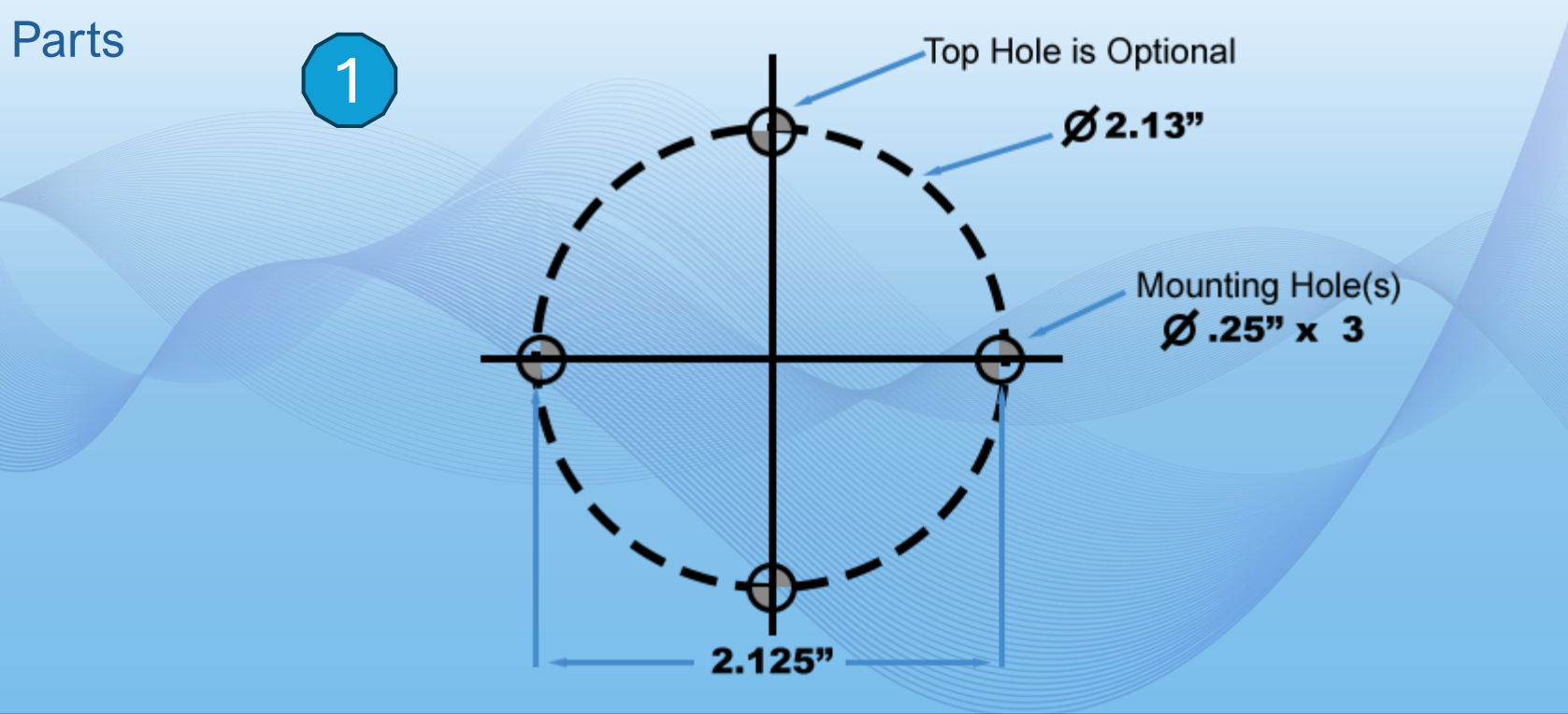
1 – Wall Mount Dimensions

## Information

- 2.75" (H) x 2.85" (W) x 3.55" (D)
- **NOTE:** Mounting location must be within 9' of the Touch Screen.

# USB Stack Light

## Installation



### Descriptions

1 – Mount Hole Locations

### Instructions

- Use the Mount as a template to mark the holes or use the measurements shown above to mark the holes.
- You will need to select an appropriate surface for the mount (Wood (Wall Stud), Brick/Masonry, Sheetrock).
- **NOTE:** Mounting location must be within 9' of the Touch Screen.

# USB Stack Light

## Installation Sheetrock



### Descriptions

- 1 – Drill
- 2 – Appropriate Drill Bit
- 3 – Appropriate Screwdriver  
Bit Driver  
Hand Driver
- 4 – Wall Anchors with Screws (3)  
Screw cannot exceed .25” diameter.

### Instructions

- When mounting on Sheetrock, without the Stud, a Wall Anchor that can hold a minimum of 50lbs is needed.
- There are a total of 4 mounting holes, the top hole is optional, minimum of 3 Wall Anchors are needed.
- A drill is for making the starter hole for the Anchors and for inserting the screws through the Mount into the Anchors.
  - Standard Screwdriver can be used in place of Drill.



# USB Stack Light

## Installation Sheetrock

### Parts

1



2



### Descriptions

- 1 – Drill with Bit
- 2 – Marked Hole Locations

### Instructions

- Using the Drill with appropriate bit, drill out all the mounting holes that were marked.
  - Can be either 3 or 4 holes
  - When choosing 4 holes, the Light Stack will need to be removed from the Mounting Bracket.
  - Instructions will only show 3-hole mounting.

# USB Stack Light

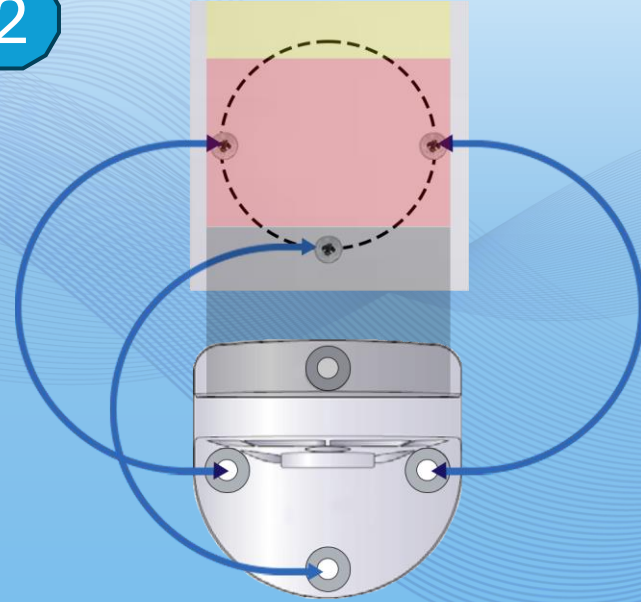
## Installation Sheetrock

### Parts

1



2



3



### Descriptions

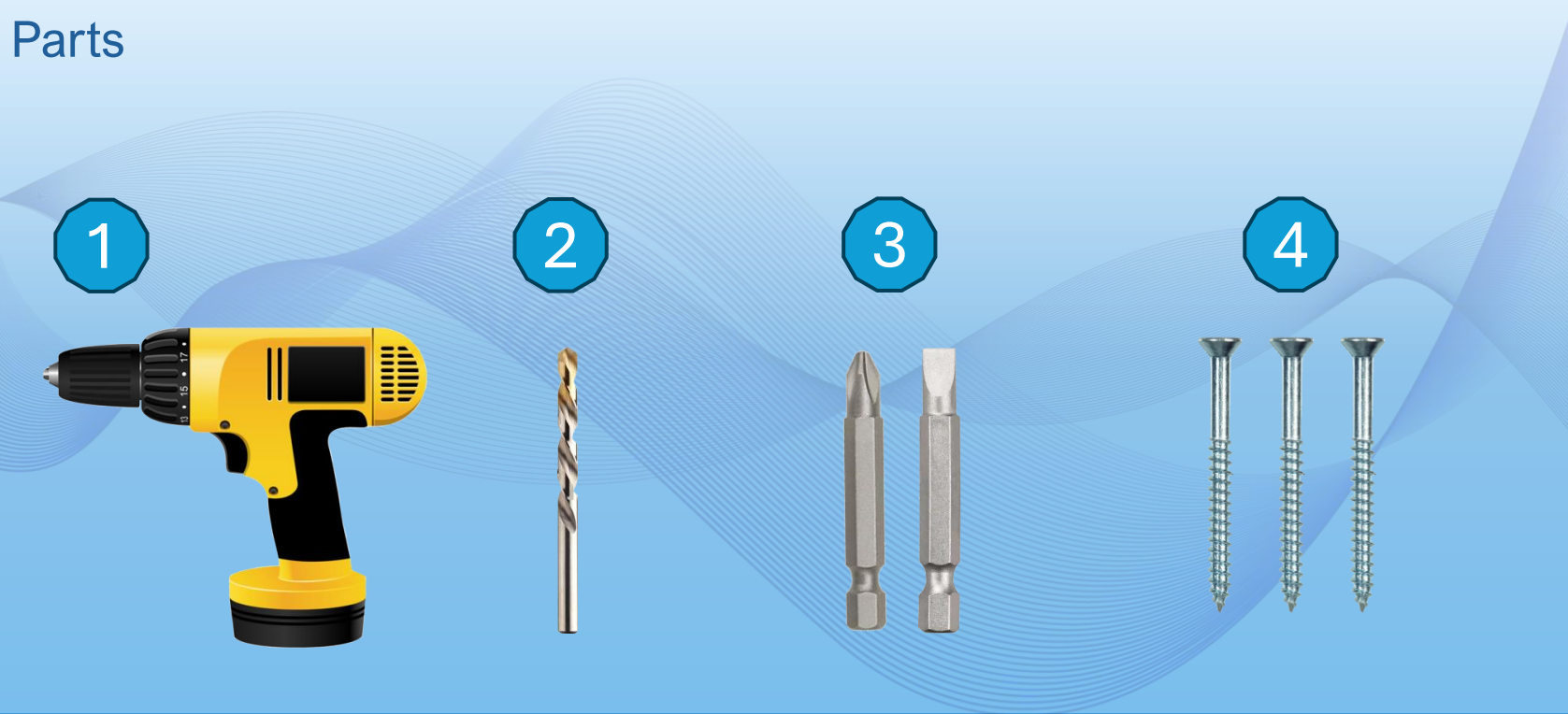
- 1 – Wall with Anchors Inserted
- 2 – Wall Mount Alignment

### Instructions

- Insert a Wall Anchor into each hole.
- Align the Wall Mount holes with the Wall Anchors.
- Secure the Wall Mount to the Anchors using the Screws that came with the Wall Anchors.

# USB Stack Light

## Installation Wood (Studs)



### Descriptions

- 1 – Drill
- 2 – Appropriate Drill Bit
- 3 – Appropriate Bit
- 4 – 3 Wood screws

Screw cannot exceed .25” diameter.

### Instructions

- When mounting on a surface, going into a stud, a 2” wood screw is required.
- There are a total of 4 mounting holes, the top hole is optional, minimum of 3 wood screws needed.
- A drill bit smaller than the screw diameter is needed to create a starter hole.
- Phillips or Standard driver needed for wood screws.

# USB Stack Light

## Installation Wood (Studs)



### Descriptions

- 1 – Drill with Bit
- 2 – Marked Hole Locations

### Instructions

- Using the Drill with appropriate bit, drill out all the mounting holes that were marked.
  - Can be either 3 or 4 holes
  - When choosing 4 holes, the Light Stack will need to be removed from the Mounting Bracket.
  - Instructions will only show 3-hole mounting.

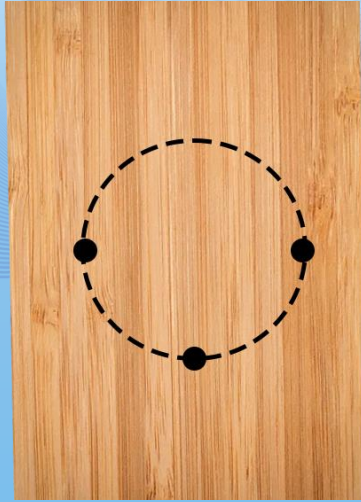


# USB Stack Light

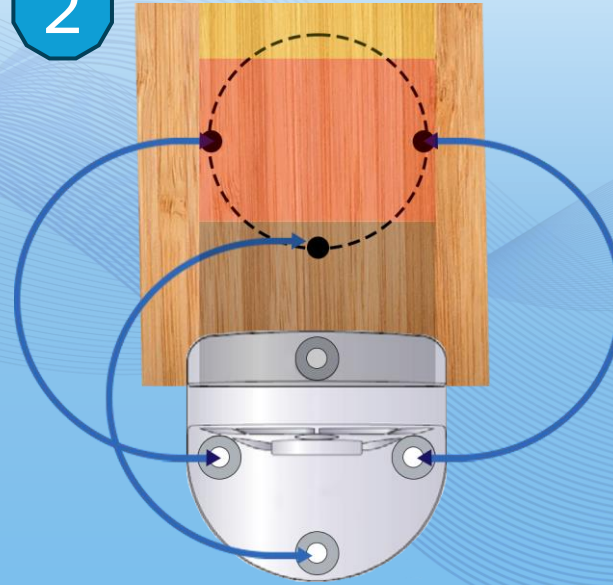
Installation  
Wood (Studs)

## Parts

1



2



3



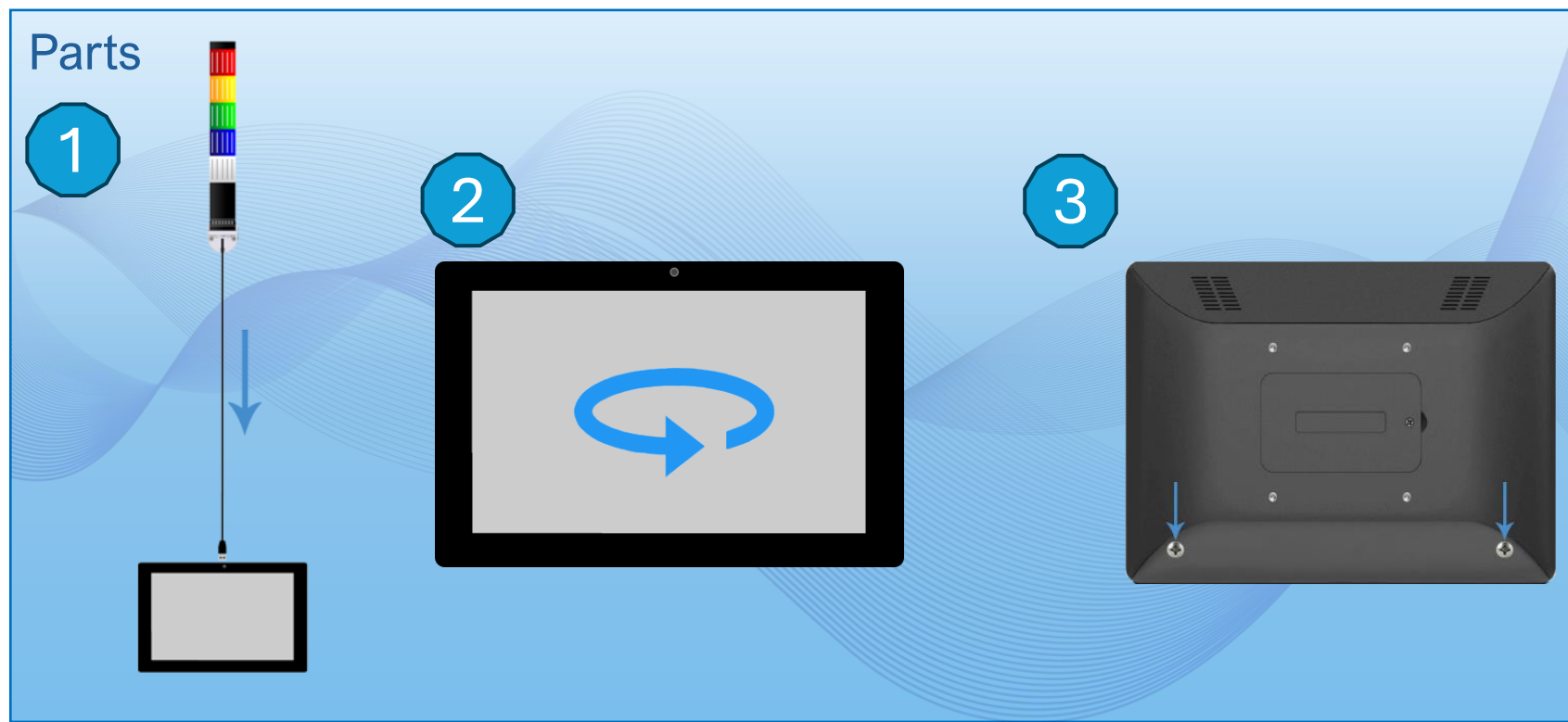
### Descriptions

- 1 – Wall with Anchors Inserted
- 2 – Wall Mount Alignment

### Instructions

- Insert a Screw into each hole.
- Align the Wall Mount holes with the Screw Holes.
- Screw in all screws until tight.

# USB Stack Light Installation



## Descriptions

- 1 – Mounted Light Stack
- 2 – Touch Screen
- 3 – Touch Screen back

## Instructions

- Extend the USB Cord at the bottom of the light stack until it is near the VersaCall Touch Screen.
- Flip the touch screen so that you are looking at the back.
- Locate the 2 small screws holding the cover plate in position.
- Remove the screws.

# USB Stack Light

## Installation

### Parts

1



2



### Descriptions

- 1 – Cover Removed
- 2 – Side – Bottom – View
- 3 - Locations

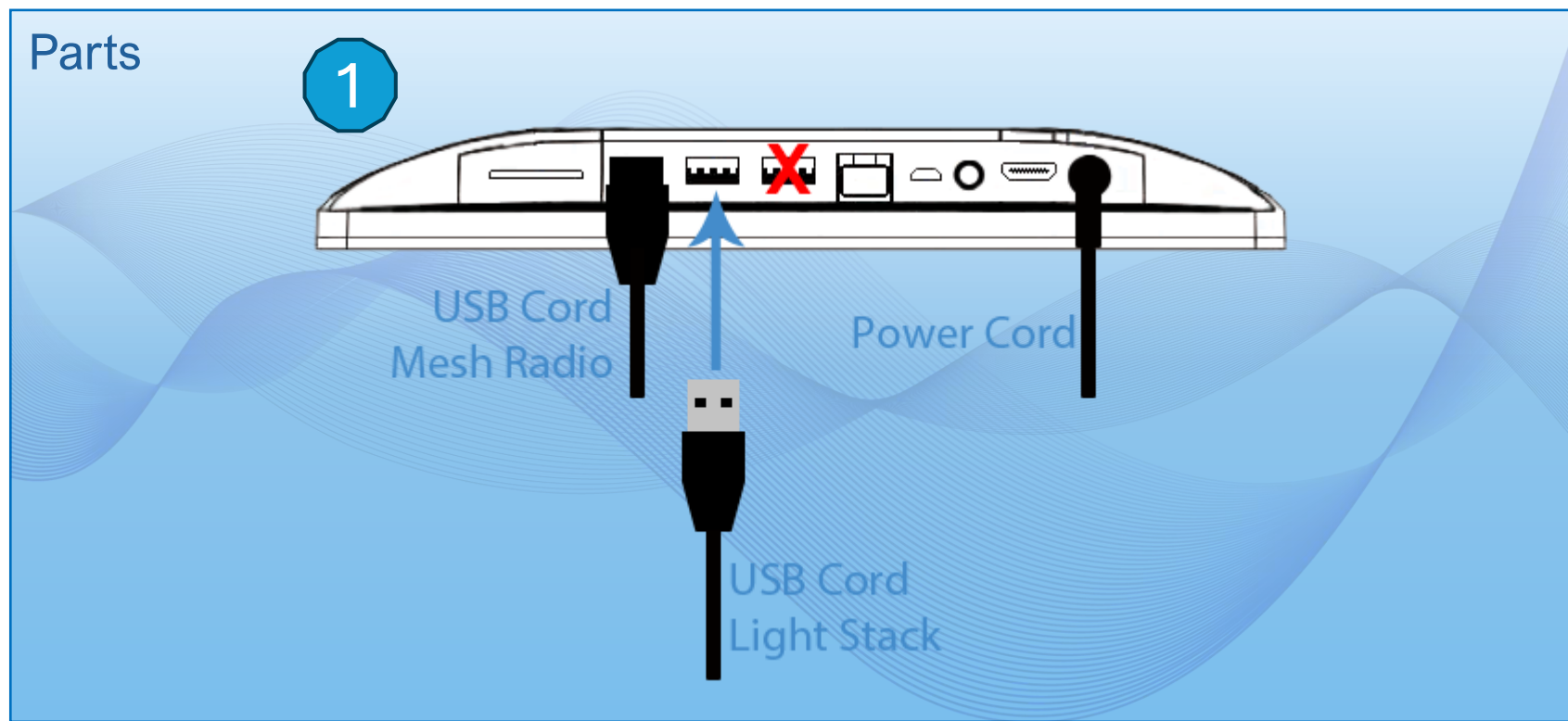
### Instructions

- Remove the plate from the touch screen.
- Flip the touch screen on its side, so that you are looking at the bottom edge.

# USB Stack Light

## Installation

### Parts



### Descriptions

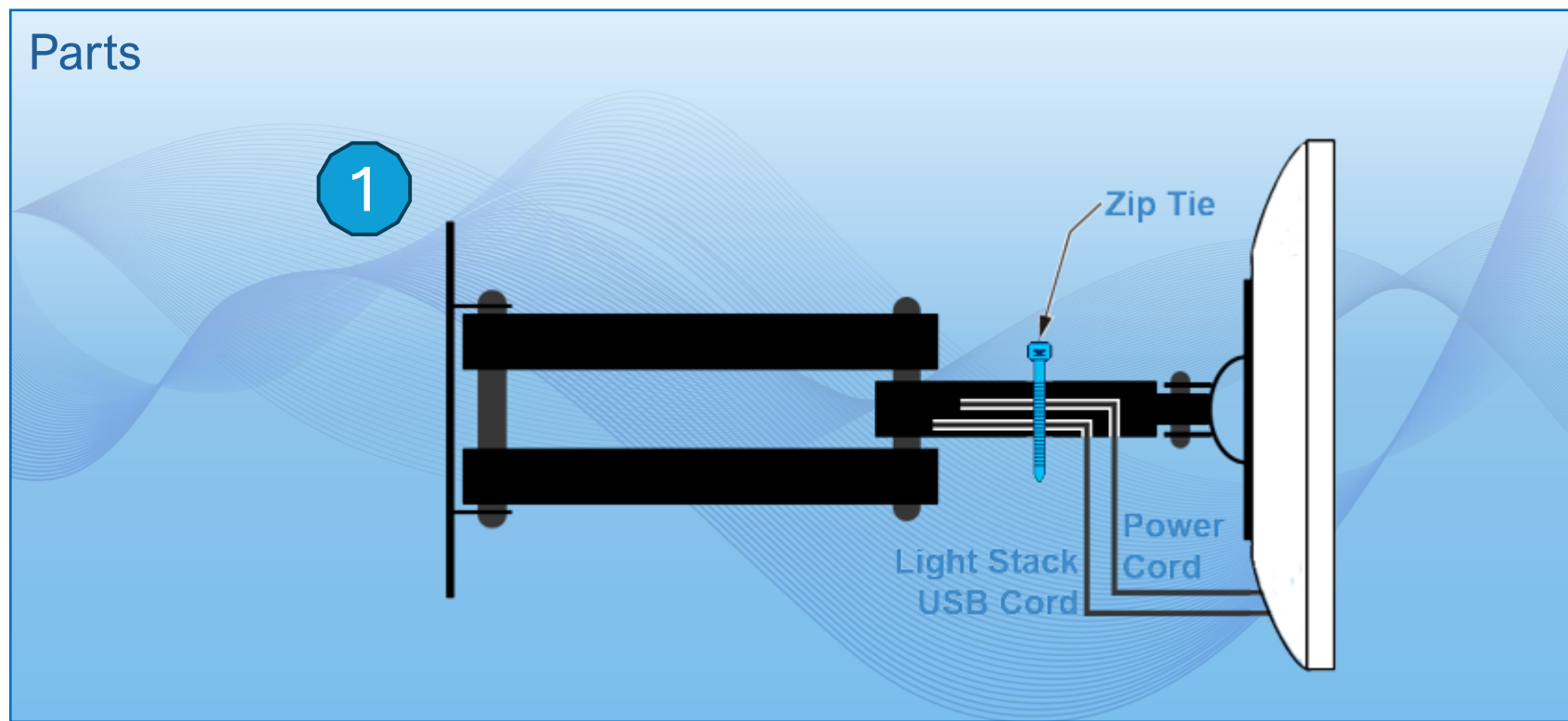
1 – Port Location

### Instructions

- The USB Mesh Radio will be connected to the outside USB Port.
- The USB Port directly next to the Mesh Radio port is where the USB Stack Light must be plugged in.
- Plug in the Stack Light.



# USB Stack Light Installation



## Descriptions

1 – Secure USB Cord

## Instructions

- We suggest securing the Light Stack USB Cord to the Articulating Arm mount with a zip tie.
- This is done so that there is a lower risk of the USB Cord becoming unplugged.
- The Touch Screen Plate cover will not be able to be reattached.